




Job Name:	
System Reference:	Date:

Indoor Unit: MLZ-KP12NA	Outdoor Unit: SUZ-KA12NAHZ	Wireless Remote Controller
		

INDOOR UNIT FEATURES

- Fits between 16" joists spacing
- Stylish, square design panel
- Built-in condensate lift mechanism (19.6")
- Serviceable from the bottom (electrical and flare connections)
- Adjustable fan speeds and vane directions
- Washable antibacterial and deodorizing filter
- Multiple control options available:
 - Hand-held Remote Controller (provided with unit)
 - kumo cloud® smart device app for remote access
 - Third-party interface options
 - Wired or wireless controllers
- Pocket inside the access panel for kumo cloud® Wireless Interface

OUTDOOR UNIT FEATURES

- The outdoor unit powers the indoor unit, and should a power outage occur, the system is automatically restarted when power returns
- INVERTER-driven compressor and LEV provide high efficiency and comfort while using only the energy needed to maintain maximum performance
- H2i® hyper heat performance offers 100% heating capacity at 5°F
- Hot-Start Technology: no cold air rush at equipment startup or when restarting after Defrost Cycle
- Quiet operation
- Blue Fin anti-corrosion treatment applied to the outdoor unit heat exchanger for increased coil protection and longer life
- Built-in base pan heater
- Innovative Joint Lap DC Motor leads to high efficiency and reliability
- Pulse Amplitude Modulation technology

SPECIFICATIONS: MLZ-KP12NA & SUZ-KA12NAHZ

Cooling at 95°F ¹	Maximum Capacity	BTU/H	12,000	
	Rated Capacity	BTU/H	12,000	
	Minimum Capacity	BTU/H	5,270	
	Maximum Power Input	W	940	
	Rated Power Input	W	940	
	Moisture Removal	Pints/h	3.10	
	Sensible Heat Factor		0.71	
	Power Factor (208/230V)	%	96	
Heating at 47°F ²	Maximum Capacity	BTU/H	18,000	
	Rated Capacity	BTU/H	15,000	
	Minimum Capacity	BTU/H	7,800	
	Maximum Power Input	W	1,630	
	Rated Power Input	W	1,130	
	Power Factor	%	98	
Heating at 17°F ³	Maximum Capacity	BTU/H	15,000	
	Rated Capacity	BTU/H	9,100	
	Maximum Power Input	W	1,740	
	Rated Power Input	W	1,050	
Heating at 5°F ⁴	Maximum Capacity	BTU/H	15,000	
	Maximum Power Input	W	2,800	
Efficiency	SEER		19.00	
	EER ¹		12.70	
	HSPF (IV)		10.20	
	COP at 47°F ²		3.80	
	COP at 17°F in Maximum Capacity ³		2.54	
	COP at 5°F in Maximum Capacity ⁴		1.57	
	ENERGY STAR [®] certified units (ENERGY STAR products are third-party certified by an EPA-recognized Certification Body.)		Yes	
Electrical	Voltage, Phase, Frequency		208/230V, 1 phase, 60Hz	
	Guaranteed Voltage Range	V AC	187-253	
	Voltage: Indoor - Outdoor, S1-S2	V AC	208/230	
	Voltage: Indoor - Outdoor, S2-S3	V DC	24	
	Short-circuit Current Rating (SCCR)	kA	5	
	Recommended Fuse/Breaker Size (Outdoor)	A	15	
	Recommended Wire Size (Indoor - Outdoor)	AWG	14	
Indoor Unit	MCA	A	1	
	Fan Motor Full Load Amperage	A	0.76	
	Fan Motor Output	W	30	
	Airflow Rate at Cooling, Dry	CFM	332-297-258-212	
	Airflow Rate at Cooling, Wet	CFM	282-252-219-180	
	Airflow Rate at Heating, Dry	CFM	350-311-272-212	
	Sound Pressure Level (Cooling)	dB(A)	40-36-32-27	
	Sound Pressure Level (Heating)	dB(A)	40-36-32-26	
	Drain Pipe Size	In. (mm)	1-1/4 (32)	
	Condensate Lift Mechanism, Maximum Distance	In. (mm)	19-11/16 (500)	
	Heat Exchanger Type		Plate fin coil	
	External Finish Color		White	
	Unit Dimensions	W: In. (mm)		43-3/8 (1,102)
		D: In. (mm)		14-3/16 (360)
H: In. (mm)			7-5/16 (185)	
Package Dimensions	W: In. (mm)		46-5/16 (1,180)	

SPECIFICATIONS: MLZ-KP12NA & SUZ-KA12NAHZ

		D: In. (mm)	15-3/4 (400)	
		H: In. (mm)	11 (280)	
	Unit Weight	Lbs. (kg)	34 (15.5)	
	Package Weight	Lbs. (kg)	41 (18)	
Indoor Unit Operating Temperature Range	Cooling Intake Air Temp (Maximum / Minimum)*	°F	90F D.B / 73F W.B // 67F D.B / 57F W.B	
	Heating Intake Air Temp (Maximum / Minimum)	°F	80F D.B // 70F D.B	
Outdoor Unit	MCA	A	14.0	
	MOCP	A	24.0	
	Fan Motor Full Load Amperage	A	0.7	
	Fan Motor Output	W	77.0	
	Airflow Rate	CFM	1,691 / 1,691	
	Refrigerant Control		LEV	
	Defrost Method		Reverse Cycle	
	Heat Exchanger Type		Plate Fin Coil	
	Blue Fin Coating on Heat Exchanger		Yes	
	Sound Pressure Level, Cooling ¹	dB(A)	54	
	Sound Pressure Level, Heating ²	dB(A)	55	
	Compressor Type		DC INVERTER-driven Twin Rotary	
	Compressor Model		SNB130FHBM2T	
	Compressor Rated Load Amps	A	13	
	Compressor Locked Rotor Amps	A	10	
	Compressor Oil Type // Charge	oz.	FV50S // 22	
	External Finish Color		Ivory Munsell 3Y 7.8/1.1	
	Base Pan Heater		Yes	
	Unit Dimensions	W: In. (mm)		38-9/16 (840)
		D: In. (mm)		13 (330)
		H: In. (mm)		34-5/8 (880)
	Package Dimensions	W: In. (mm)		38-9/16 (980)
		D: In. (mm)		16-9/16 (420)
H: In. (mm)			39 (990)	
Unit Weight	Lbs. (kg)		129 (58.5)	
Package Weight	Lbs. (kg)		148 (67)	
Outdoor Unit Operating Temperature Range	Cooling Air Temp (Maximum / Minimum)*	°F	115 / 14	
	Cooling Thermal Lock-out / Re-start Temperatures**	°F	-1 / 3	
	Heating Air Temp (Maximum / Minimum)	°F	75 / -13	
	Heating Thermal Lock-out / Re-start Temperatures**	°F	-18 / -14	
Refrigerant	Type		R410A	
	Charge	Lbs, oz	3, 9	
Piping	Gas Pipe Size O.D. (Flared)	In.(mm)	3/8 (9.52)	
	Liquid Pipe Size O.D. (Flared)	In.(mm)	1/4 (6.35)	
	Maximum Piping Length	Ft. (m)	65	
	Maximum Height Difference	Ft. (m)	40	
	Maximum Number of Bends		10	

Notes

AHRI Rated Conditions (Rated data is determined at a fixed compressor speed)	¹ Cooling (Indoor // Outdoor)	°F	80 DB, 67 WB // 95 DB, 75 WB
	² Heating at 47°F (Indoor // Outdoor)	°F	70 DB, 60 WB // 47 DB, 43 WB
	³ Heating at 17°F (Indoor // Outdoor)	°F	70 DB, 60 WB // 17 DB, 15 WB
Conditions	⁴ Heating at 5°F (Indoor // Outdoor)	°F	70 DB, 60 WB // 5 DB, 4 WB

*Applications should be restricted to comfort cooling only; equipment cooling applications are not recommended for low ambient temperature conditions.

**System cuts out in heating mode to avoid thermistor error and automatically restarts at these temperatures.

ACCESSORIES: MLZ-KP12NA

Grille (required)	<input type="checkbox"/> MLP-444WU
Anti-allergy Enzyme Filter	<input type="checkbox"/> MAC-408FT-E
kumo touch™ RedLINK™ Wireless Controller	<input type="checkbox"/> MHK2
Deluxe MA Remote Controller ¹	<input type="checkbox"/> PAR-40MAAU
Simple MA Controller ¹	<input type="checkbox"/> PAC-YT53CRAU-J
Touch MA Controller ¹	<input type="checkbox"/> PAR-CT01MAU-SB
Wired Remote Sensor	<input type="checkbox"/> M21EAA307
Wireless Temperature and Humidity Sensor	<input type="checkbox"/> PAC-USWHS003-TH-1
System Control Interface ²	<input type="checkbox"/> MAC-334IF-E
External Fan / Heater Control Relay Adapter	<input type="checkbox"/> CN24RELAY-KIT-CM3
Wireless Interface 2	<input type="checkbox"/> PAC-USWHS002-WF-2
Thermostat Interface	<input type="checkbox"/> PAC-US444CN-1
kumo station®	<input type="checkbox"/> PAC-WHS01HC-E
USNAP Interface	<input type="checkbox"/> PAC-WHS01UP-E
IT Extender	<input type="checkbox"/> PAC-WHS01IE-E
BACnet® and MODBUS® Interface	<input type="checkbox"/> PAC-UKPRC001-CN-1
External Fan / Heater Control Relay Adapter	<input type="checkbox"/> CN24RELAY-KIT-CM3
Lockdown Bracket for Hand-held Remote Controllers	<input type="checkbox"/> RCMKP1CB
Advanced Blue Diamond Mini Condensate Pump w/ Reservoir & Sensor (208/230V) [recommended]	<input type="checkbox"/> X87-721 - 208/230V
MicroBlue Blue Diamond Mini Condensate Pump (110/208/230V) up to 18,000 BTU/H	<input type="checkbox"/> X85-003
(30A/600V/UL) [fits 2" X 4" utility box] - Black	<input type="checkbox"/> TAZ-MS303
(30A/600V/UL) [fits 2" X 4" utility box] - White	<input type="checkbox"/> TAZ-MS303W

¹ Requires MAC-334IF-E

² Allows indoor units to connect to an MA Controller

ACCESSORIES: SUZ-KA12NAHZ

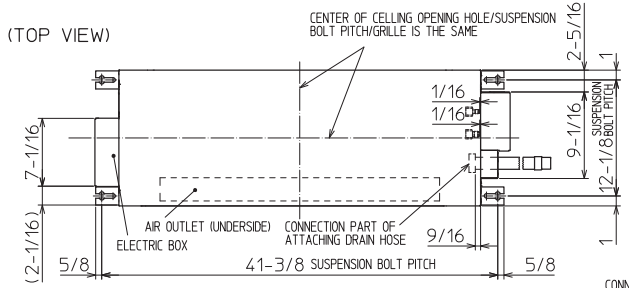
Air Outlet Guide	<input type="checkbox"/> MAC-881SG
Optional Defrost Heater	<input type="checkbox"/> MAC-640BH-U
Hail Guard	<input type="checkbox"/> HG-A7
Outdoor Unit 3-1/4 inch Mounting Base (Pair) - Plastic	<input type="checkbox"/> DSD-400P
Condensing Unit Mounting Pad 16" x 36" x 3"	<input type="checkbox"/> ULTRILITE1
Outdoor Unit Stand — 12" High	<input type="checkbox"/> QSMS1201M
Outdoor Unit Stand — 18" High	<input type="checkbox"/> QSMS1801M
Outdoor Unit Stand — 24" High	<input type="checkbox"/> QSMS2401M
Heavy Duty Wall Mounting Bracket— Coated Steel	<input type="checkbox"/> QSWB2000M-1
Heavy Duty Wall Mounting Bracket— 316 Series Stainless Steel	<input type="checkbox"/> QSWBSS
15' x 1/4" x 15' / 3/8" Lineset (Twin-Tube Insulation)	<input type="checkbox"/> MLS143812T-15
30' x 1/4" x 30' / 3/8" Lineset (Twin-Tube Insulation)	<input type="checkbox"/> MLS143812T-30
50' x 1/4" x 50' / 3/8" Lineset (Twin-Tube Insulation)	<input type="checkbox"/> MLS143812T-50
65' x 1/4" x 65' / 3/8" Lineset (Twin-Tube Insulation)	<input type="checkbox"/> MLS143812T-65

DIMENSIONS: MLZ-KP12NA

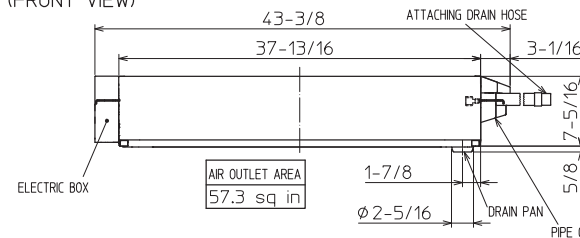
Unit: inch

INDOOR UNIT OUTLINE DRAWING

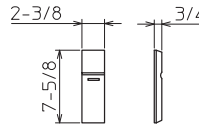
(TOP VIEW)



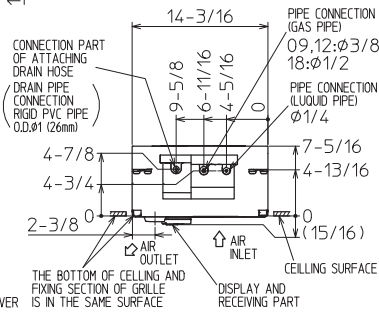
(FRONT VIEW)



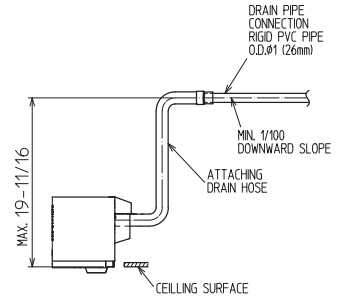
REMOTE CONTROLLER OUTLINE DRAWING



(RIGHT SIDE VIEW)

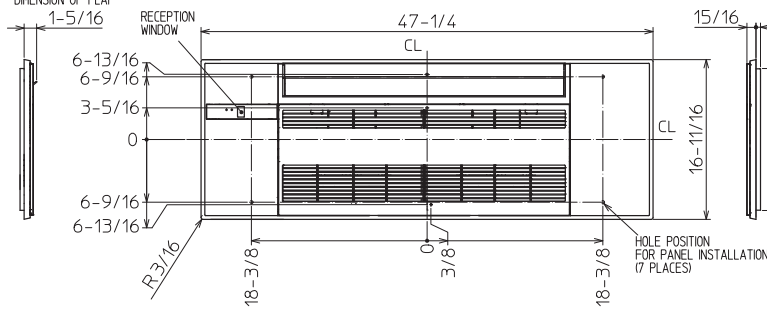


THE METHOD FOR STANDING DRAIN FROM INDOOR UNIT
 ※ CUT THE DRAIN HOSE (ACCESSORY) FOR USE, IF NECESSARY.



GRILLE OUTLINE DRAWING (MLP-444W)

MAX. PROTRUSION DIMENSION OF FLAP

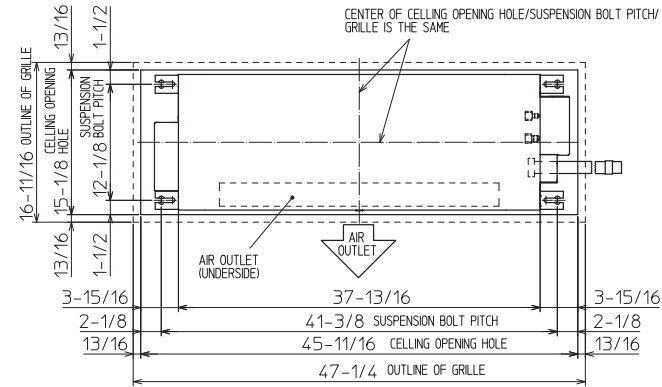


		09/12 KBTU/H	18 KBTU/H
EXTENSION PIPE	LIQUID PIPE O.D.	φ1/4	
	GAS PIPE O.D.	φ3/8	φ1/2
CONNECTION OF PIPE	LIQUID PIPE	FLARED CONNECTION φ1/4	
	GAS PIPE	FLARED CONNECTION φ3/8	FLARED CONNECTION φ1/2
DRAIN HOSE	HEAT INSULATOR O.D.	CONNECTION I.D.	EFFECTIVE LENGTH
DRAIN PIPE CONNECTION	φ1-1/4	φ1	16-7/8
DRAIN PIPE CONNECTION		RIGID PVC PIPE O.D. φ1 (26mm)	

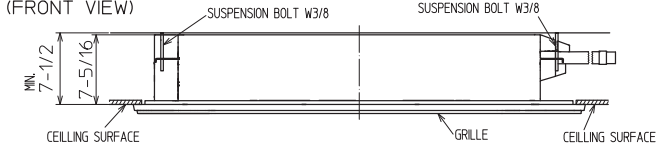
NOTE1. CUT THE DRAIN HOSE (ACCESSORY) FOR USE, IF NECESSARY.

INDOOR UNIT DETAIL VIEW

(TOP VIEW)



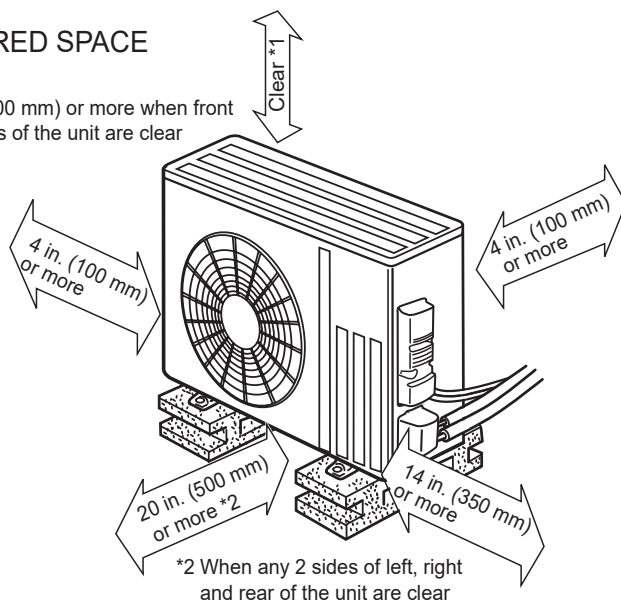
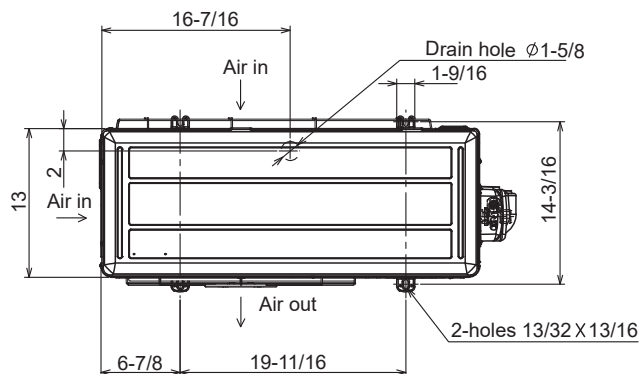
(FRONT VIEW)



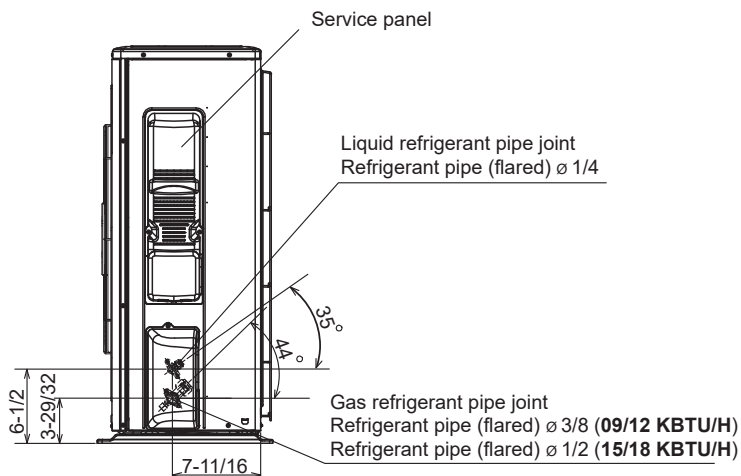
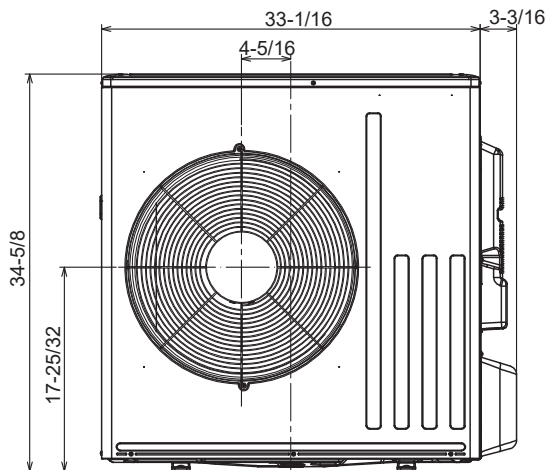
Unit: inch

REQUIRED SPACE

*1 20 in. (500 mm) or more when front and sides of the unit are clear



*2 When any 2 sides of left, right and rear of the unit are clear



1340 Satellite Boulevard, Suwanee, GA 30024
Toll Free: 800-433-4822 www.mehvac.com

