

Job Name:

System Reference:

Date:

APPLIES TO INDOOR UNIT:

- SEZ-KD09NA4.TH
- SEZ-KD09NAR1.TH
- SEZ-KD09NA4R1.TH

Outdoor Unit:

SUZ-KA09NAHZ



INDOOR UNIT FEATURES

- Concealed horizontal-ducted unit for applications with short duct runs
- Quiet operation
- Ultra-thin body: 7-7/8" high
- Built-in condensate lift mechanism (lifts to 21-21/32")
- Multiple control options available:
 - kumo cloud[®] smart device app for remote access
 - Third-party interface options
 - Wired or wireless controllers
- Static capability up to 0.20 in. WG

OUTDOOR UNIT FEATURES

- The outdoor unit powers the indoor unit, and should a power outage occur, the system is automatically restarted when power returns
- INVERTER-driven compressor and LEV provide high efficiency and comfort while using only the energy needed to maintain maximum performance
- H2[®] hyper heat performance offers 100% heating capacity at 5°F
- Hot-Start Technology: no cold air rush at equipment startup or when restarting after Defrost Cycle
- Quiet operation
- Blue Fin anti-corrosion treatment applied to the outdoor unit heat exchanger for increased coil protection and longer life
- Built-in base pan heater
- Innovative Joint Lap DC Motor leads to high efficiency and reliability
- Pulse Amplitude Modulation technology

SPECIFICATIONS: SEZ-KD09NA4 & SUZ-KA09NAHZ

Cooling at 95°F ¹	Maximum Capacity	BTU/H	9,000	
	Rated Capacity	BTU/H	9,000	
	Minimum Capacity	BTU/H	4,500	
	Maximum Power Input	W	690	
	Rated Power Input	W	690	
	Moisture Removal	Pints/h	1.70	
	Sensible Heat Factor		0.79	
	Power Factor (208/230V)	%	89	
Heating at 47°F ²	Maximum Capacity	BTU/H	13,300	
	Rated Capacity	BTU/H	12,500	
	Minimum Capacity	BTU/H	8,100	
	Maximum Power Input	W	1,300	
	Rated Power Input	W	1,300	
	Power Factor	%	95	
Heating at 17°F ³	Maximum Capacity	BTU/H	12,500	
	Rated Capacity	BTU/H	8,700	
	Maximum Power Input	W	1,670	
	Rated Power Input	W	1,120	
Heating at 5°F ⁴	Maximum Capacity	BTU/H	12,500	
	Maximum Power Input	W	2,000	
Efficiency	SEER		17.30	
	EER ¹		13.00	
	HSPF (IV)		9.80	
	COP at 47° F ²		2.80	
	COP at 17°F in Maximum Capacity ³		2.20	
	COP at 5°F in Maximum Capacity ⁴		1.59	
	ENERGY STAR [®] certified units (ENERGY STAR products are third-party certified by an EPA-recognized Certification Body.)		Yes	
Electrical	Voltage, Phase, Frequency		208/230V, 1 phase, 60Hz	
	Guaranteed Voltage Range	V AC	187-253	
	Voltage: Indoor - Outdoor, S1-S2	V AC	208/230	
	Voltage: Indoor - Outdoor, S2-S3	V DC	24	
	Short-circuit Current Rating (SCCR)	kA	5	
	Recommended Fuse/Breaker Size (Outdoor)	A	15	
	Recommended Wire Size (Indoor - Outdoor)	AWG	14	
Indoor Unit	MCA	A	0.74	
	Fan Motor Full Load Amperage	A	0.59	
	Fan Motor Output	W	96	
	Airflow Rate, Dry	CFM	317-247-194	
	Airflow Rate, Wet	CFM	285-222-174	
	Sound Pressure Level (Cooling)	dB(A)	30-26-23	
	Sound Pressure Level (Heating)	dB(A)	30-26-23	
	External Static Pressure	in.WG	0.02-0.06-0.14-0.2	
	Drain Pipe Size	In. (mm)	1-1/4 (32)	
	Condensate Lift Mechanism, Maximum Distance	In. (mm)	21-21/32 (550)	
	Heat Exchanger Type		Plate fin coil	
	External Finish Color		Galvanized	
	Unit Dimensions	W: In. (mm)		31 1/8 (790)
		D: In. (mm)		27-9/16 (700)
H: In. (mm)			7-7/8 (200)	
Package Dimensions	W: In. (mm)		39-3/8 (1,000)	

SPECIFICATIONS: SEZ-KD09NA4 & SUZ-KA09NAHZ

		D: In. (mm)	35-7/16 (900)	
		H: In. (mm)	14-3/16 (360)	
	Unit Weight	Lbs. (kg)	42 (19)	
	Package Weight	Lbs. (kg)	64 (29)	
Indoor Unit Operating Temperature Range	Cooling Intake Air Temp (Maximum / Minimum)*	°F	90 DB / 72 WB // 68 DB / 61 WB	
	Heating Intake Air Temp (Maximum / Minimum)	°F	77 DB // 59 DB	
Outdoor Unit	MCA	A	14.0	
	MOCP	A	24.0	
	Fan Motor Full Load Amperage	A	0.7	
	Fan Motor Output	W	77.0	
	Airflow Rate	CFM	1,691 / 1,691	
	Refrigerant Control		LEV	
	Defrost Method		Reverse Cycle	
	Heat Exchanger Type		Plate Fin Coil	
	Blue Fin Coating on Heat Exchanger		Yes	
	Sound Pressure Level (Cooling) ¹	dB(A)	54	
	Sound Pressure Level, Heating ²	dB(A)	55	
	Compressor Type		DC INVERTER-driven Twin Rotary	
	Compressor Model		SNB130FHBM2T	
	Compressor Rated Load Amps	A	13	
	Compressor Locked Rotor Amps	A	10	
	Compressor Oil Type // Charge	oz.	FV50S // 22	
	External Finish Color		Ivory Munsell 3Y 7.8/1.1	
	Base Pan Heater		Yes	
	Unit Dimensions	W: In. (mm)		38-9/16 (840)
		D: In. (mm)		13 (330)
		H: In. (mm)		34-5/8 (880)
	Package Dimensions	W: In. (mm)		38-9/16 (980)
D: In. (mm)			16-9/16 (420)	
H: In. (mm)			39 (990)	
Unit Weight	Lbs. (kg)		129 (58.5)	
Package Weight	Lbs. (kg)		148 (67)	
Outdoor Unit Operating Temperature Range	Cooling Air Temp (Maximum / Minimum)*	°F	115 / 14	
	Cooling Thermal Lock-out / Re-start Temperatures**	°F	-1 / 3	
	Heating Air Temp (Maximum / Minimum)	°F	75 / -13	
	Heating Thermal Lock-out / Re-start Temperatures**	°F	-18 / -14	
Refrigerant	Type		R410A	
	Charge	Lbs, oz	3, 9	
Piping	Gas Pipe Size O.D. (Flared)	In.(mm)	3/8 (9.52)	
	Liquid Pipe Size O.D. (Flared)	In.(mm)	1/4 (6.35)	
	Maximum Piping Length	Ft. (m)	65	
	Maximum Height Difference	Ft. (m)	40	
	Maximum Number of Bends		10	

Notes

AHRI Rated Conditions (Rated data is determined at a fixed compressor speed)	¹ Cooling (Indoor // Outdoor)	°F	80 DB, 67 WB // 95 DB, 75 WB
	² Heating at 47°F (Indoor // Outdoor)	°F	70 DB, 60 WB // 47 DB, 43 WB
	³ Heating at 17°F (Indoor // Outdoor)	°F	70 DB, 60 WB // 17 DB, 15 WB
Conditions	⁴ Heating at 5°F (Indoor // Outdoor)	°F	70 DB, 60 WB // 5 DB, 4 WB

*Applications should be restricted to comfort cooling only; equipment cooling applications are not recommended for low ambient temperature conditions.

**System cuts out in heating mode to avoid thermistor error and automatically restarts at these temperatures.

ACCESSORIES: SEZ-KD09NA4

Filter Box with MERV 8 Filters	<input type="checkbox"/> FBL1-1
Wireless Signal Receiver	<input type="checkbox"/> PAR-SA9CA-E
Wireless Signal Receiver	<input type="checkbox"/> PAR-FA32MA-W
Wireless Remote Controller	<input type="checkbox"/> PAR-FL32MA-E
kumo touch™ RedLINK™ Wireless Controller	<input type="checkbox"/> MHK2
Deluxe MA Remote Controller	<input type="checkbox"/> PAR-40MAAU
Simple MA Controller	<input type="checkbox"/> PAC-YT53CRAU-J
Touch MA Controller	<input type="checkbox"/> PAR-CT01MAU-SB
Wired Remote Sensor	<input type="checkbox"/> PAC-SE41TS-E
Wireless Temperature and Humidity Sensor	<input type="checkbox"/> PAC-USWHS003-TH-1
Flush Mount Remote Temperature Sensor	<input type="checkbox"/> PAC-USSEN002-FM-1
Wireless Interface 2	<input type="checkbox"/> PAC-USWHS002-WF-2
Thermostat Interface	<input type="checkbox"/> PAC-US444CN-1
Thermostat Interface	<input type="checkbox"/> PAC-US445CN-1
kumo station® for kumo cloud®	<input type="checkbox"/> PAC-WHS01HC-E
USNAP Interface	<input type="checkbox"/> PAC-WHS01UP-E
IT Extender	<input type="checkbox"/> PAC-WHS01IE-E
BACnet® and MODBUS® Interface	<input type="checkbox"/> PAC-UKPRC001-CN-1
External Fan / Heater Control Relay Adapter	<input type="checkbox"/> CN24RELAY-KIT-CM3
Wire for Remote on/off with CN32 connector	<input type="checkbox"/> PAC-715AD
Connector and wire for Operation status/error using CN51	<input type="checkbox"/> PAC-725AD
Connector cable for remote display	<input type="checkbox"/> PAC-SA88HA-EP
Remote Operation Adapter ¹	<input type="checkbox"/> PAC-SF40RM-E
Bottom Return Plate (Converts low-profile ducted indoor unit from rear return to bottom return)	<input type="checkbox"/> BRP-1
Blue Diamond Sensor Extension Cable — 15 Ft.	<input type="checkbox"/> C13-103
Blue Diamond Alarm Extension Cable — 6.5 Ft.	<input type="checkbox"/> C13-192
Blue Diamond MultiTank — collection tank for use with multiple pumps	<input type="checkbox"/> C21-014
Blue Diamond Rubber Foot Pads	<input type="checkbox"/> F10-010
Mini Condensate Pump — 230 volt application	<input type="checkbox"/> SI30-230
Advanced Blue Diamond Mini Condensate Pump w/ Reservoir & Sensor (208/230V) [recommended]	<input type="checkbox"/> X87-721 - 208/230V
Refco Condensate Pump (100-240 VAC) up to 120,000 BTU/H	<input type="checkbox"/> COMBI
(30A/600V/UL) [fits 2" X 4" utility box] - Black	<input type="checkbox"/> TAZ-MS303
(30A/600V/UL) [fits 2" X 4" utility box] - White	<input type="checkbox"/> TAZ-MS303W

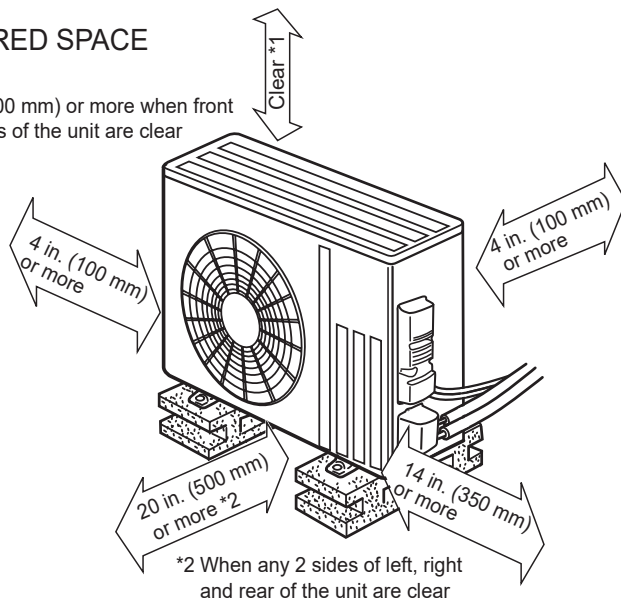
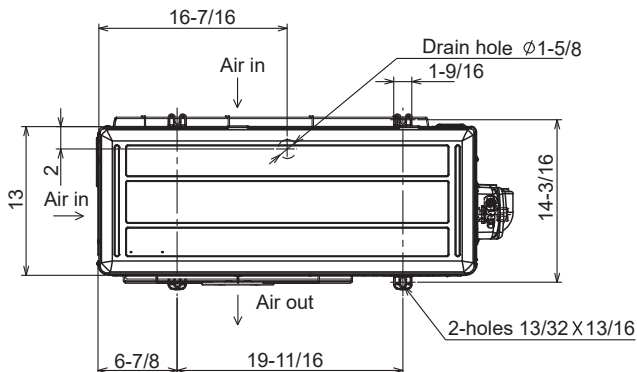
¹ Unable to use with wireless remote controller

ACCESSORIES: SUZ-KA09NAHZ

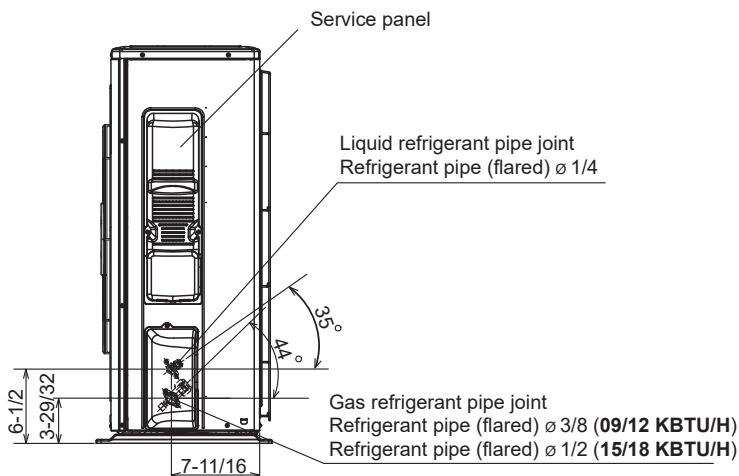
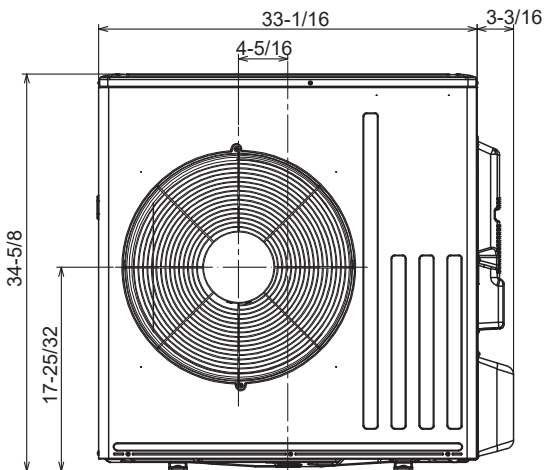
Air Outlet Guide	<input type="checkbox"/> MAC-881SG
Optional Defrost Heater	<input type="checkbox"/> MAC-640BH-U
Hail Guard	<input type="checkbox"/> HG-A7
Outdoor Unit 3-1/4 inch Mounting Base (Pair) - Plastic	<input type="checkbox"/> DSD-400P
Condensing Unit Mounting Pad 16" x 36" x 3"	<input type="checkbox"/> ULTRILITE1
Outdoor Unit Stand — 12" High	<input type="checkbox"/> QSMS1201M
Outdoor Unit Stand — 18" High	<input type="checkbox"/> QSMS1801M
Outdoor Unit Stand — 24" High	<input type="checkbox"/> QSMS2401M
Heavy Duty Wall Mounting Bracket— Coated Steel	<input type="checkbox"/> QSWB2000M-1
Heavy Duty Wall Mounting Bracket — 316 Series Stainless Steel	<input type="checkbox"/> QSWBSS
15' x 1/4" x 15' / 3/8" Lineset (Twin-Tube Insulation)	<input type="checkbox"/> MLS143812T-15
30' x 1/4" x 30' / 3/8" Lineset (Twin-Tube Insulation)	<input type="checkbox"/> MLS143812T-30
50' x 1/4" x 50' / 3/8" Lineset (Twin-Tube Insulation)	<input type="checkbox"/> MLS143812T-50
65' x 1/4" x 65' / 3/8" Lineset (Twin-Tube Insulation)	<input type="checkbox"/> MLS143812T-65

REQUIRED SPACE

*1 20 in. (500 mm) or more when front and sides of the unit are clear



*2 When any 2 sides of left, right and rear of the unit are clear



1340 Satellite Boulevard, Suwanee, GA 30024
Toll Free: 800-433-4822 www.mehvac.com