

# SG Series Snow/Hail Guards

Manufactured for MITSUBISHI ELECTRIC US, INC.

CITY MULTI® PURY, PUHY, AND PUHY-HP -T/Y(S)HMU AND -T/Y(S)JMU SERIES OUTDOOR UNITS ONLY

Job Name:

Schedule Reference:

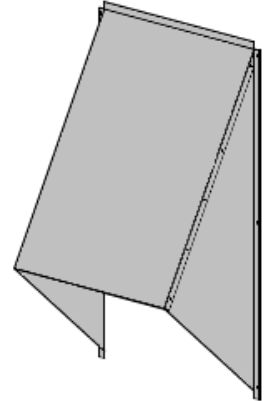
Date:

## GENERAL FEATURES

- Protects outdoor unit coil surfaces from hail damage and snow build-up in severe climates.
- 20-gauge, hot-dipped galvanized G-90 steel construction.
- Heavy-duty polyester-based powder paint finish to match equipment.
- Installs easily using existing wire guard fasteners.

### Notes:

- Outdoor unit must be mounted at least 12" off the ground or 12" above the highest average snow depth, whichever is greater.
- Clearances for the sides and back of the outdoor unit must be at least 17" greater than standard installation guidelines.
- For best coil protection, two and three module units must be mounted with the minimum 1-3/16" separation.



## SPECIFICATIONS

Kit Number	Description	Net Weight (lbs.)	Ship Weight (lbs.)	Carton Dimensions
SG-1	Side Snow/Hail Guards, 18-3/4" wide (two per kit)	(2) x 18 lbs.	41 lbs.	45"W x 20"H x 52"L
SG-2	Rear Snow/Hail Guard, 30-1/4" wide	19 lbs.	24 lbs.	45"W x 20"H x 52"L
SG-3	Rear Snow/Hail Guard, 42-1/4" wide	24 lbs.	29 lbs.	45"W x 20"H x 52"L

## KITS REQUIRED PER OUTDOOR UNIT

For models with two or three units, selections are based on a distance of 1-3/16" separation between the modules. For further separation between the modules, additional components may be required.

### PURY-P-T/Y(S)HMU Series

Unit Model	Module Size		Kit Quantity		
	S	L	SG-1	SG-2	SG-3
PURY-P72(T,Y)HMU-A	1		1	1	
PURY-P96(T,Y)HMU-A		1	1		1
PURY-P120(T,Y)HMU-A		1	1		1
PURY-P144(T,Y)SHMU-A	2		1	2	
PURY-P168(T,Y)SHMU-A	1	1	1	1	1
PURY-P192(T,Y)SHMU-A		2	1		2
PURY-P216(T,Y)SHMU-A		2	1		2
PURY-P240(T,Y)SHMU-A		2	1		2

### PURY-P-T/Y(S)JMU Series

Unit Model	Module Size			Kit Quantity		
	S	L	XL	SG-1	SG-2	SG-3
PURY-P72(T,Y)JMU-A	1			1	1	
PURY-P96(T,Y)JMU-A		1		1		1
PURY-P120(T,Y)JMU-A			1	1	2	
PURY-P144(T,Y)SJMUA			1	1	2	
PURY-P168(T,Y)SJMUA	1	1		1	1	1
PURY-P192(T,Y)SJMUA		2		1		2
PURY-P216(T,Y)SJMUA		1	1	1	2	1
PURY-P240(T,Y)SJMUA			2	1	4	
PURY-P264(T,Y)SJMUA			2	1	4	
PURY-P288(T,Y)SJMUA			2	1	4	

### PUHY-P-T/Y(S)HMU Series

Unit Model	Module Size		Kit Quantity		
	S	L	SG-1	SG-2	SG-3
PUHY-P72(T,Y)HMU-A	1		1	1	
PUHY-P96(T,Y)HMU-A	1		1	1	
PUHY-P120(T,Y)HMU-A		1	1		1
PUHY-P144(T,Y)SHMU-A	2		1	2	
PUHY-P168(T,Y)SHMU-A	2		1	2	
PUHY-P192(T,Y)SHMU-A	1	1	1	1	1
PUHY-P216(T,Y)SHMU-A	1	1	1	1	1
PUHY-P240(T,Y)SHMU-A		2	1		2
PUHY-P264(T,Y)SHMU-A	2	1	1	2	1
PUHY-P288(T,Y)SHMU-A	2	1	1	2	1
PUHY-P312(T,Y)SHMU-A	1	2	1	1	2
PUHY-P336(T,Y)SHMU-A	1	2	1	1	2
PUHY-P360(T,Y)SHMU-A		3	1		3

### PUHY-P-T/Y(S)JMU Series

Unit Model	Module Size			Kit Quantity		
	S	L	XL	SG-1	SG-2	SG-3
PUHY-P72(T,Y)JMU-A	1			1	1	
PUHY-P96(T,Y)JMU-A		1		1		1
PUHY-P120(T,Y)JMU-A			1	1	2	
PUHY-P144(T,Y)SJMUA			1	1	2	
PUHY-P168(T,Y)SJMUA	1	1		1	1	1
PUHY-P192(T,Y)SJMUA	1		1	1	3	
PUHY-P216(T,Y)SJMUA		1	1	1	2	1
PUHY-P240(T,Y)SJMUA			2	1	4	
PUHY-P264(T,Y)SJMUA			2	1	4	
PUHY-P288(T,Y)SJMUA			2	1	4	
PUHY-P312(T,Y)SJMUA	1		2	1	5	
PUHY-P336(T,Y)SJMUA		1	2	1	4	1
PUHY-P360(T,Y)SJMUA		1	2	1	4	1

### PUHY-HP-T/Y(S)HMU Series

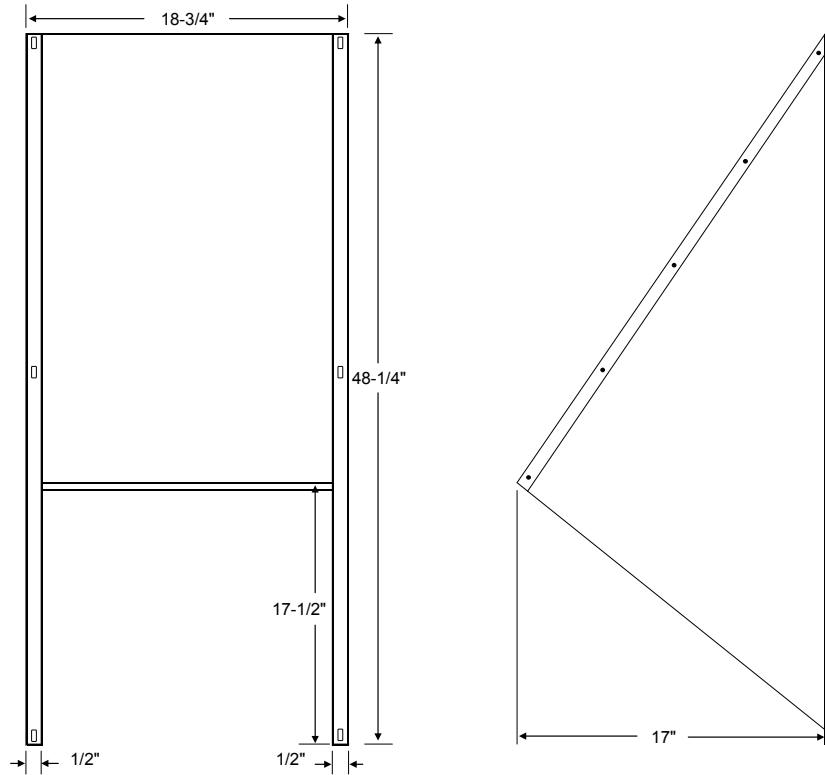
Unit Model	Module Size		Kit Quantity		
	S	L	SG-1	SG-2	SG-3
PUHY-HP72THMU-A	1		1	1	
PUHY-HP96THMU-A	1		1	1	
PUHY-HP144TSHMU-A	2		1	2	
PUHY-HP192TSHMU-A	2		1	2	

### PUHY-HP-T/Y(S)JMU Series

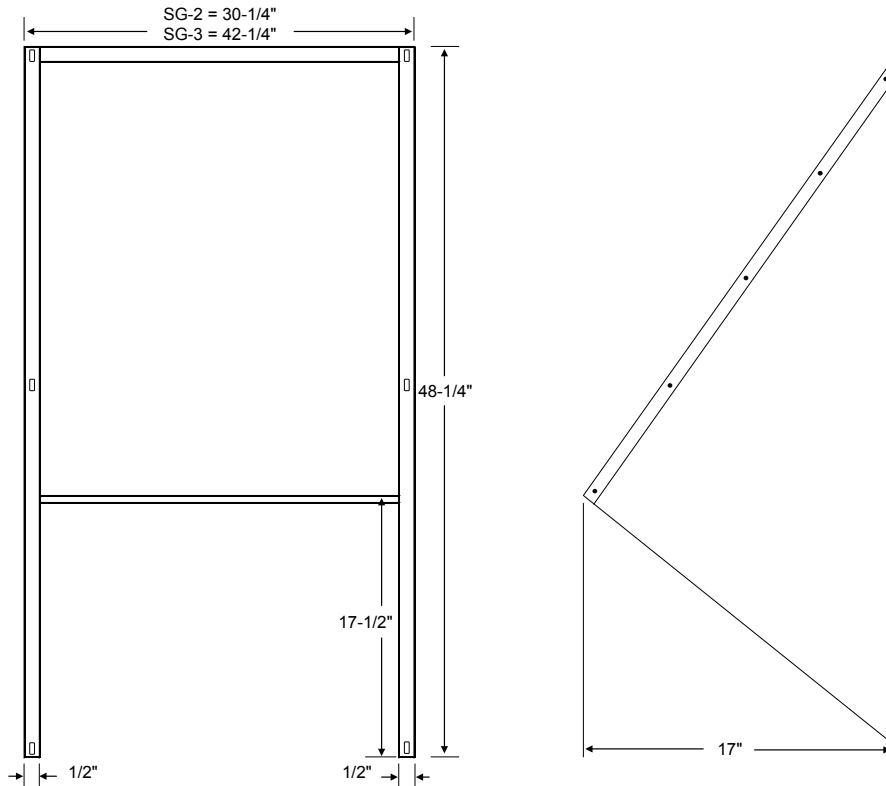
Unit Model	Module Size			Kit Quantity		
	S	L	XL	SG-1	SG-2	SG-3
PUHY-HP72TJMU-A	1			1	1	
PUHY-HP96TJMU-A		1		1		1
PUHY-HP144TSJMUA	2			1	2	
PUHY-HP192TSJMUA		2		1	2	2

# SG-1, SG-2, and SG-3 EXTERNAL DIMENSIONS

## SG-1 (2 per kit)



## SG-2 and SG-3



Manufactured for MITSUBISHI ELECTRIC US, INC.

1340 Satellite Boulevard  
Suwanee, GA 30024  
Tele: 678-376-2900 • Fax: 800-889-9904  
Toll Free: 800-433-4822  
[www.mehvac.com](http://www.mehvac.com)