

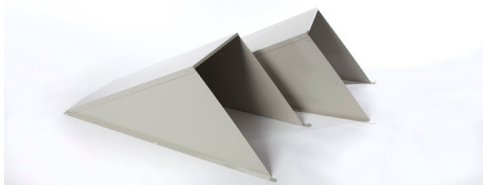
Snow/Hail Guards Kit for CITY MULTI® Modular Outdoor Units

Designed for PUHY-P-T/Y(S)K/LMU, PURY-P-T/Y(S)K/LMU and PURY-HP-T/Y(S)KMU Series Units

Job Name:

System Reference:

Date:



SGK Series



SHK-1

GENERAL FEATURES

- Protects outdoor unit fan guard and coil surfaces from hail damage and snow build-up in severe climates.
- 20-gauge, hot-dipped galvanized G-90 steel construction.
- Heavy-duty polyester-based powder paint finish to match equipment.
- SGK installs easily using existing wire guard fasteners.
- SHK installs easily using existing fasteners and provided brackets and screws.

NOTES:

- Outdoor unit must be mounted at least 12" off the ground or 12" above the highest average snow depth, whichever is greater.
- For SGK clearances for the sides and back of the outdoor unit must be at least 17" greater than standard installation guidelines.
- For best coil protection, two and three module units must be mounted with the minimum 1-3/16" separation.
- For best snow and hail protection use SHK-1 with SGK series snow/hail guards.

SPECIFICATIONS

Kit Number	Description	Net Weight	Ship Weight	Carton Dimensions
SGK-1	Side Snow/Hail Guards 19-1/8" wide (2 per kit)	(2) x 18 lbs.	41 lbs.	20"W x 20"H x 52"L
SGK-2	Rear Snow/Hail Guard 31-3/4" wide	19 lbs.	24 lbs.	33"W x 20"H x 52"L
SGK-3	Rear Snow/Hail Guard 43-1/2" wide	24 lbs.	29 lbs.	45"W x 20"H x 52"L
SHK-1	Snow Hood for Snow/Hail Protection	41 lbs.	47 lbs.	34"W x 30-1/2"H x 32"L

COMPONENTS REQUIRED PER OUTDOOR UNIT

For models with two or three units, selections are based on a distance of 1-3/16" separation between the modules. For further separation between the modules, additional components may be required.

PURY-P-T/Y(S)KMU SERIES

Unit model	Module Size			Component Qty			
	S	L	XL	SGK-1	SGK-2	SGK-3	SHK-1
PURY-P72(T,Y)KMU		1		1		1	1
PURY-P96(T,Y)KMU		1		1		1	1
PURY-P120(T,Y)KMU			1	1	2		2
PURY-P144(T,Y)KMU			1	1	2		2
PURY-P144YSKMU		2		1		2	2
PURY-P168(T,Y)SKMU		2		1		2	2
PURY-P192(T,Y)SKMU		2		1		2	2
PURY-P216(T,Y)SKMU		1	1	1	2	1	3
PURY-P240(T,Y)SKMU			2	1	4		4
PURY-P264(T,Y)SKMU			2	1	4		4
PURY-P288(T,Y)SKMU			2	1	4		4

COMPONENTS

PUHY-P-T(S)KMU SERIES

Unit model	Module Size			Component Qty			
	S	L	XL	SGK-1	SGK-2	SGK-3	SHK-1
PUHY-P72(T,Y)KMU	1			1	1		1
PUHY-P96(T,Y)KMU		1		1		1	1
PUHY-P120(T,Y)KMU			1	1	2		2
PUHY-P144(T,Y)KMU			1	1	2		2
PUHY-P144YSKMU	2			1	2		2
PUHY-P168(T,Y)SKMU	1	1		1	1	1	2
PUHY-P192(T,Y)SKMU	1		1	1	3		3
PUHY-P216(T,Y)SKMU		1	1	1	2	1	3
PUHY-P240(T,Y)SKMU			2	1	4		4
PUHY-P264(T,Y)SKMU	2		1	1	4		4
PUHY-P288(T,Y)SKMU	1	1	1	1	3	1	4
PUHY-P312(T,Y)SKMU	1		2	1	5		5
PUHY-P336(T,Y)SKMU		1	2	1	4	1	5
PUHY-P360(T,Y)SKMU			3	1	6		6

PURY-HP-T(S)KMU SERIES

Unit model	Module Size			Component Qty			
	S	L	XL	SGK-1	SGK-2	SGK-3	SHK-1
PURY-HP72TKMU		1		1		1	1
PURY-HP96TKMU		1		1		1	1
PURY-HP144TSKMU		2		1		2	2
PURY-HP192TSKMU		2		1		2	2

PURY-HP-Y(S)KMU SERIES

Unit model	Module Size			Component Qty			
	S	L	XL	SGK-1	SGK-2	SGK-3	SHK-1
PURY-HP72YKMU		1		1		1	1
PURY-HP96YKMU		1		1		1	1
PURY-HP144YSKMU		2		1		2	2
PURY-HP192YSKMU		2		1		2	2

COMPONENTS, contd.

PURY-P-T/Y(S)LMU SERIES

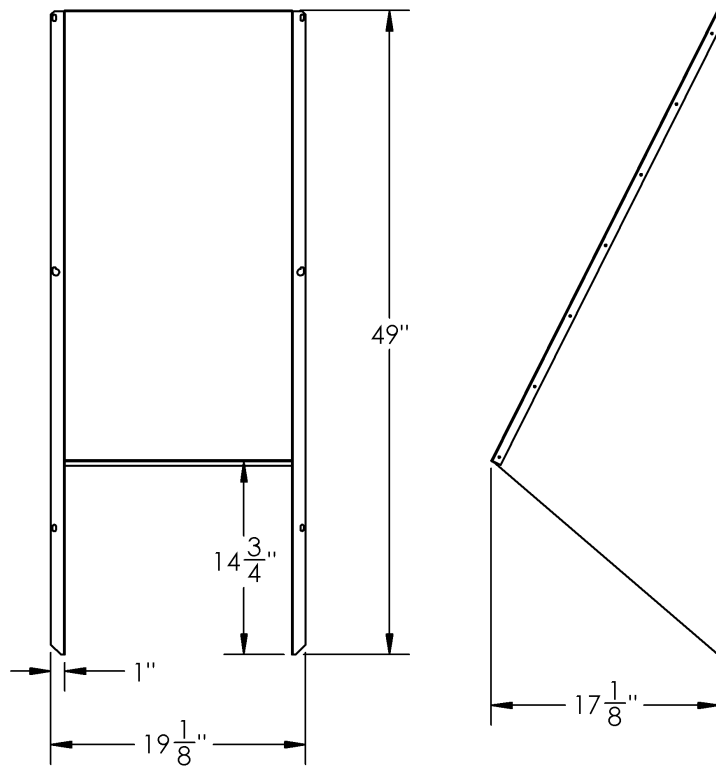
Unit model	Module Size			Component Qty			
	S	L	XL	SGK-1	SGK-2	SGK-3	SHK-1
PURY-P72(T,Y)LMU	1			1	1		1
PURY-P96(T,Y)LMU		1		1		1	1
PURY-P120(T,Y)LMU			1	1	2		2
PURY-P144(T,Y)LMU			1	1	2		2
PURY-P144(T,Y)SLMU	2			1	2		2
PURY-P168(T,Y)LMU			1	1	2		2
PURY-P168(T,Y)SLMU	1	1		1	1	1	2
PURY-P192(T,Y)SLMU		2		1		2	2
PURY-P216(T,Y)SLMU		1	1	1	2	1	3
PURY-P240(T,Y)SLMU			2	1	4		4
PURY-P264(T,Y)SLMU			2	1	4		4
PURY-P288(T,Y)SLMU			2	1	4		4
PURY-P312(T,Y)SLMU			2	1	4		4
PURY-P336(T,Y)SLMU			2	1	4		4

PUHY-P-T(S)LMU SERIES

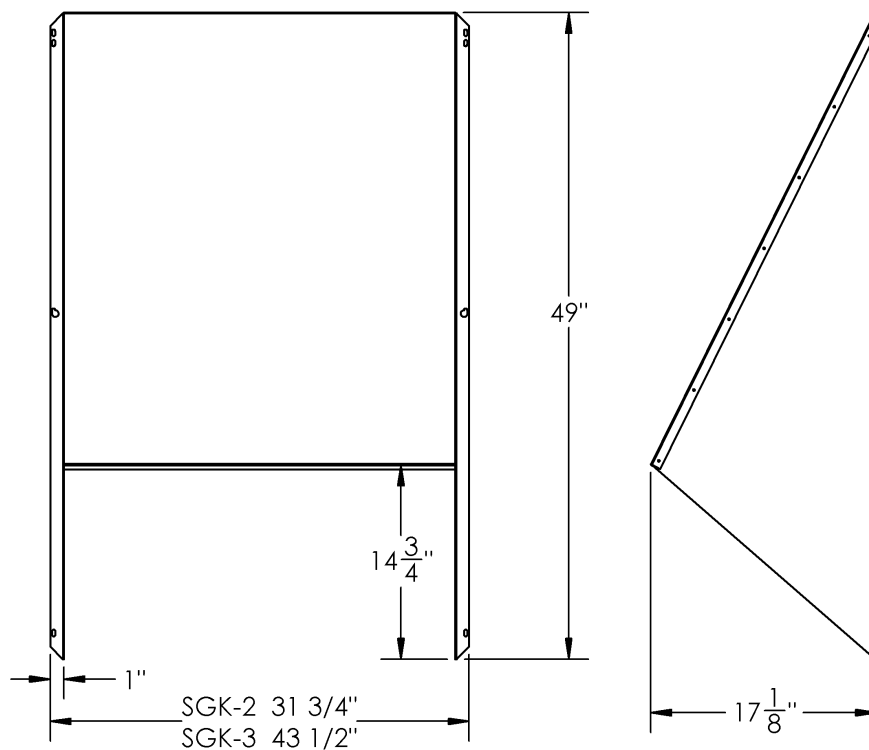
Unit model	Module Size			Component Qty			
	S	L	XL	SGK-1	SGK-2	SGK-3	SHK-1
PUHY-P72(T,Y)LMU	1			1	1		1
PUHY-P96(T,Y)LMU		1		1		1	1
PUHY-P120(T,Y)LMU			1	1	2		2
PUHY-P144(T,Y)LMU			1	1	2		2
PUHY-P144(T,Y)SLMU	2			1	2		2
PUHY-P168(T,Y)LMU			1	1	2		2
PUHY-P168(T,Y)SLMU	1	1		1	1	1	2
PUHY-P192(T,Y)SLMU	1		1	1	3		3
PUHY-P216(T,Y)SLMU		1	1	1	2	1	3
PUHY-P240(T,Y)SLMU			2	1	4		4
PUHY-P264(T,Y)SLMU	2		1	1	4		4
PUHY-P288(T,Y)SLMU	1	1	1	1	3	1	4
PUHY-P312(T,Y)SLMU	1		2	1	5		5
PUHY-P336(T,Y)SLMU		1	2	1	4	1	5
PUHY-P360(T,Y)SLMU			3	1	6		6

SGK-1, SGK-2, and SGK-3: EXTERNAL DIMENSIONS

SGK-1 (2 PER KIT)

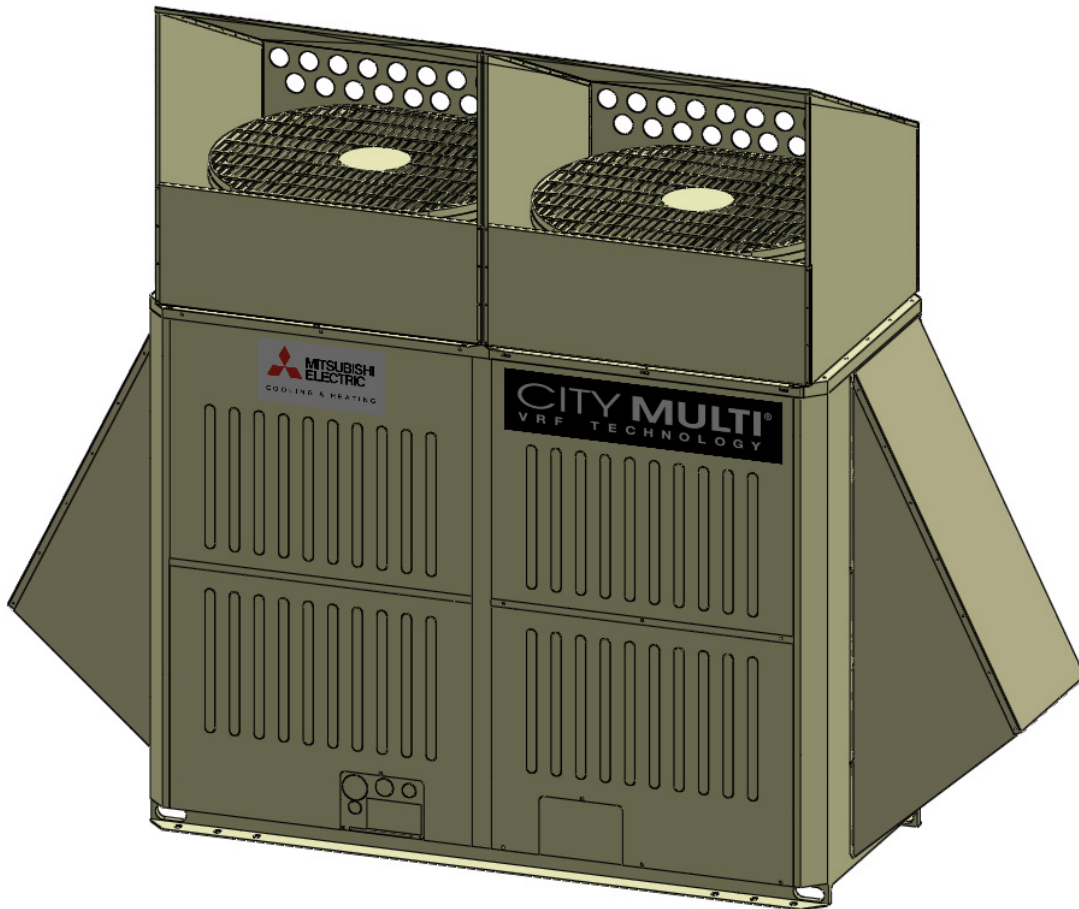
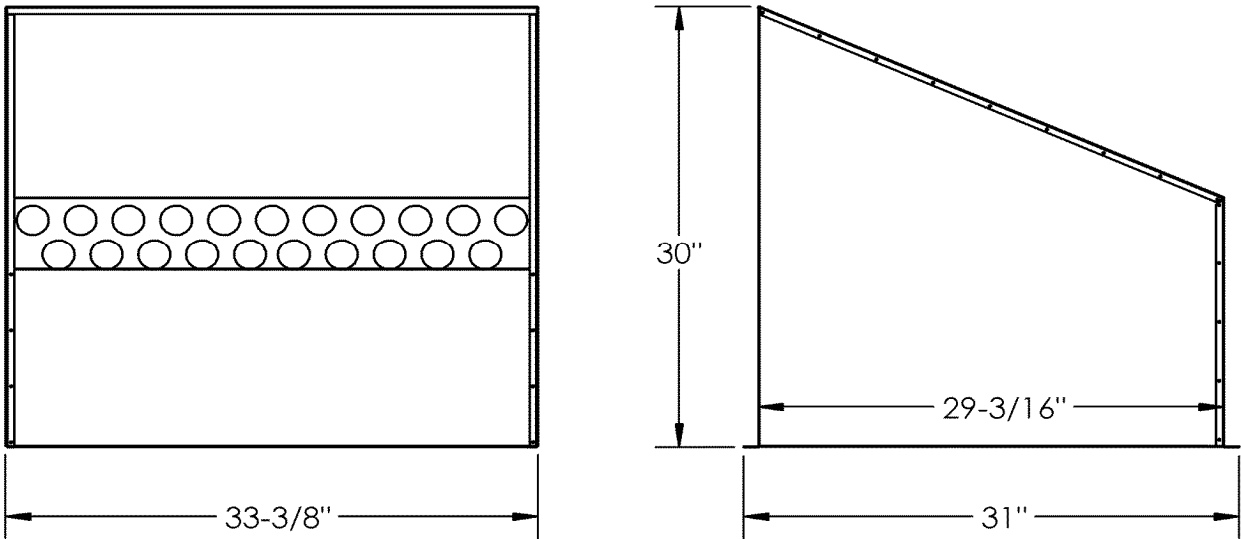


SGK-2 AND SGK-3



SHK-1: EXTERNAL DIMENSIONS

SHK-1



Manufactured for MITSUBISHI ELECTRIC US, INC.

1340 Satellite Boulevard, Suwanee, GA 30024
Toll Free: 800-433-4822 www.mehvac.com