

Low Ambient Kit for CITY MULTI Modular Outdoor Units

Designed for PUHY, PUHY-HP and PURY T/Y(S)HMU and T/Y(S)JMU Series Units

Job Name: _____ Location: _____

Drawing Reference: _____ Schedule No.: _____

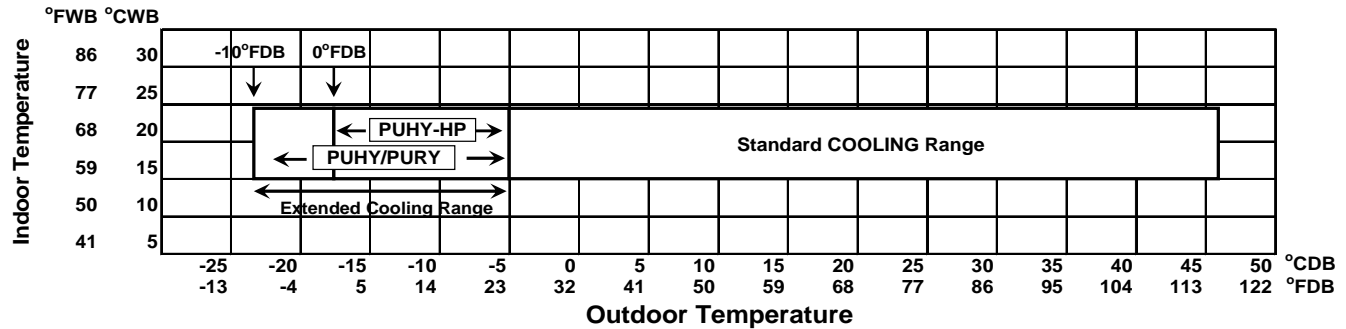
System No.: _____ Date: _____

Complete Low Ambient Kit Includes: Hood with control damper assembly and wind deflectors.

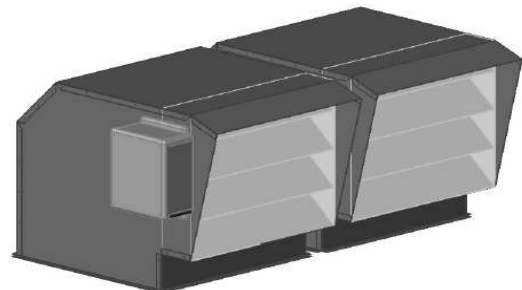
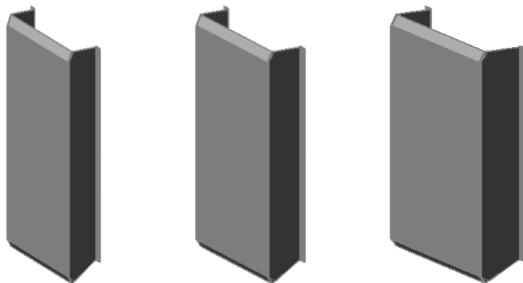
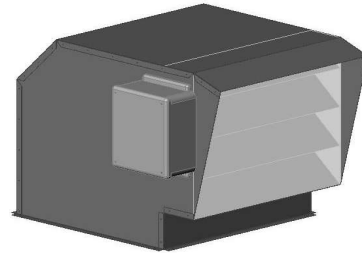
GENERAL FEATURES

- Allows system to operate at 100% COOLING capacity at reduced outdoor temperatures
- ** PUHY Y-Series Outdoor Units - (Now down to -10°FDB Outdoor Temp.)
- ** PURY R2-Series Outdoor Units - (Now down to -10°FDB Outdoor Temp.)
- ** PUHY-HP H2i Y-Series Outdoor Units - (Now down to 0°FDB Outdoor Temp.)

Patent Pending



- Normal heating performance is unaffected by the low ambient kit
- Hood and wind deflectors constructed of 20 gauge, hot-dipped galvanized G-90 steel
- Heavy-duty polyester-based powder paint finish
- Designed to work with both 208/230 and 460 3-phase units
- NEMA 4X control box protects electrical components from the elements
- ETL Recognized Component
- Kit easily installs connects to outdoor unit with plug in electrical connections
- Wind deflectors easily install with existing (wire guard) fasteners



NOTES:

** Hood and wind deflectors must be used to achieve low operational range

Outdoor unit must be mounted at least 12" off the ground or 12" above the highest average snow depth whichever is greater.

The outdoor unit may require additional mounting restraints depending on the mounting location. See engineering manual or installation instructions for guidelines.

Clearances for the sides and back of the outdoor unit must be at least 6" greater than standard installation guidelines.

Specifications

Part Number	Description	Electrical	Net Wt.	Ship Wt.	Carton Dimensions
					L x W x H
LAH-1	Low Ambient Hood Assembly (master) with damper control box For single fan modules (P72 and P96)	208/230 1-phase .20 amp	59 lbs.	65 lbs.	43" L x 36" W x 30 1/2" H
LAH-2	Low Ambient Hood Assembly (slave) Combined with the LAH-1 for double fan (P120 and P144) modules	Controlled by LAH-1	51 lbs.	57 lbs.	43" L x 36" W x 30 1/2" H
SWD-1	Side Wind Deflector, includes 2 pieces (fits all modules)	N/A	45 lbs.	50 lbs.	54" L x 20" W x 9" H
RWD-1	Rear Wind Deflector (1 fits S module, 2 fit the XL module)	N/A	37 lbs.	42 lbs.	54" L x 33" W x 9" H
RWD-2	Rear Wind Deflector (1 fits L module)	N/A	40 lbs.	45 lbs.	54" L x 45" W x 9" H

Components Required per Outdoor unit(s)

For outdoor units with multiple modules, the minimum 1-3/16" separation between the modules is recommended.

If modules are placed farther apart than 1-3/16" apart more than 1 set of SWD-1 side wind deflectors may be needed.

For multiple units or module sets placed in a row, only one side wind deflector kit (SWD-1) is used to cover the two outside module coil surfaces.

PURY-P-T/Y(S)HMU Series

Unit model	Module Size		Component Quantity			
	S	L	LAH-1	SWD-1	RWD-1	RWD-2
PURY-P72(T,Y)HMU-A	1		1	1	1	
PURY-P96(T,Y)HMU-A		1	1	1		1
PURY-P120(T,Y)HMU-A		1	1	1		1
PURY-P144(T,Y)SHMU-A	2		2	1	2	
PURY-P168(T,Y)SHMU-A	1	1	2	1	1	1
PURY-P192(T,Y)SHMU-A		2	2	1		2
PURY-P216(T,Y)SHMU-A		2	2	1		2
PURY-P240(T,Y)SHMU-A		2	2	1		2

PURY-P-T/Y(S)JMU Series

Unit model	Module Size			Component Quantity				
	S	L	XL	LAH-1	LAH-2	SWD-1	RWD-1	RWD-2
PURY-P72(T,Y)JMU-A	1			1		1	1	
PURY-P96(T,Y)JMU-A		1		1		1		1
PURY-P120(T,Y)JMU-A			1	1	1	1	2	
PURY-P144(T,Y)SJMUA			1	1	1	1	2	
PURY-P168(T,Y)SJMUA	1	1		2		1	1	1
PURY-P192(T,Y)SJMUA		2		2		1		2
PURY-P216(T,Y)SJMUA		1	1	2	1	1	2	1
PURY-P240(T,Y)SJMUA			2	2	2	1	4	
PURY-P264(T,Y)SJMUA			2	2	2	1	4	
PURY-P288(T,Y)SJMUA			2	2	2	1	4	

PUHY-P-T/Y(S)HMU Series

Unit model	Module Size		Component Quantity			
	S	L	LAH-1	SWD-1	RWD-1	RWD-2
PUHY-P72(T,Y)HMU-A	1		1	1	1	
PUHY-P96(T,Y)HMU-A	1		1	1	1	
PUHY-P120(T,Y)HMU-A		1	1	1		1
PUHY-P144(T,Y)SHMU-A	2		2	1	2	
PUHY-P168(T,Y)SHMU-A	2		2	1	2	
PUHY-P192(T,Y)SHMU-A	1	1	2	1	1	1
PUHY-P216(T,Y)SHMU-A	1	1	2	1	1	1
PUHY-P240(T,Y)SHMU-A		2	2	1		2
PUHY-P264(T,Y)SHMU-A	2	1	3	1	2	1
PUHY-P288(T,Y)SHMU-A	2	1	3	1	2	1
PUHY-P312(T,Y)SHMU-A	1	2	3	1	1	2
PUHY-P336(T,Y)SHMU-A	1	2	3	1	1	2
PUHY-P360(T,Y)SHMU-A		3	3	1		3

PUHY-P-T/Y(S)JMU Series

Unit model	Module Size			Component Quantity				
	S	L	XL	LAH-1	LAH-2	SWD-1	RWD-1	RWD-2
PUHY-P72(T,Y)JMU-A	1			1		1	1	
PUHY-P96(T,Y)JMU-A		1		1		1		1
PUHY-P120(T,Y)JMU-A			1	1	1	1	2	
PUHY-P144(T,Y)SJMUA			1	1	1	1	2	
PUHY-P168(T,Y)SJMUA	1	1		2		1	1	1
PUHY-P192(T,Y)SJMUA	1		1	2	1	1	3	
PUHY-P216(T,Y)SJMUA		1	1	2	1	1	2	1
PUHY-P240(T,Y)SJMUA			2	2	2	1	4	
PUHY-P264(T,Y)SJMUA			2	2	2	1	4	
PUHY-P288(T,Y)SJMUA			2	2	2	1	4	
PUHY-P312(T,Y)SJMUA	1	2	3	2	1	1	5	
PUHY-P336(T,Y)SJMUA		1	2	3	2	1	4	1
PUHY-P360(T,Y)SJMUA		1	2	3	2	1	4	1

PUHY-HP-T/Y(S)HMU Series

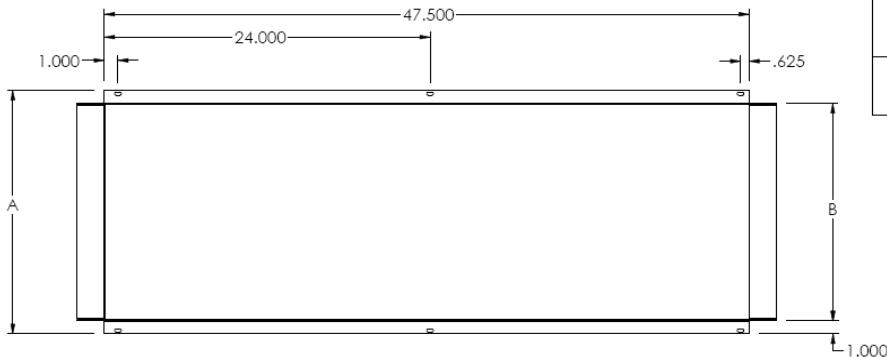
Unit model	Module Size		Component Quantity			
	S	L	LAH-1	SWD-1	RWD-1	RWD-2
PUHY-HP72THMU-A	1		1	1	1	
PUHY-HP96THMU-A	1		1	1	1	
PUHY-HP144TSHMU-A	2		2	1	2	
PUHY-HP192TSHMU-A	2		2	1	2	

PUHY-HP-T/Y(S)JMU Series

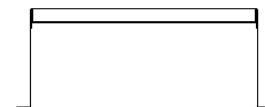
Unit model	Module Size			Component Quantity				
	S	L	XL	LAH-1	LAH-2	SWD-1	RWD-1	RWD-2
PUHY-HP72TJMU-A		1		1		1		1
PUHY-HP96TJMU-A		1		1		1		1
PUHY-HP144TSJMUA		2		2		1		2
PUHY-HP192TSJMUA		2		2		1		2

Dimensions

Wind Deflectors SWD-1, RWD-1 and RWD-2

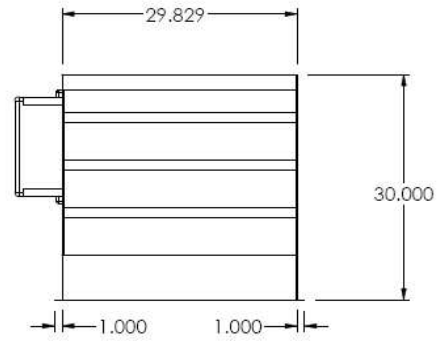
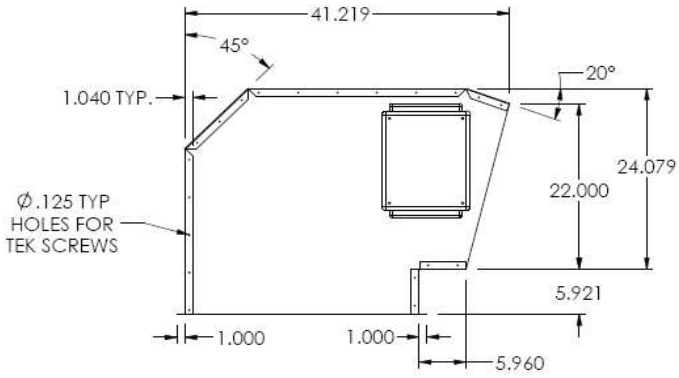
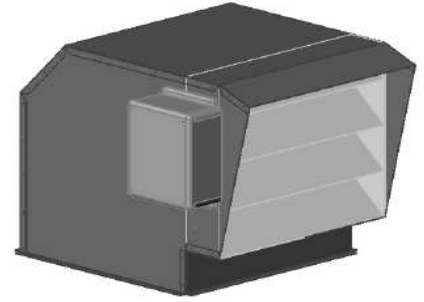
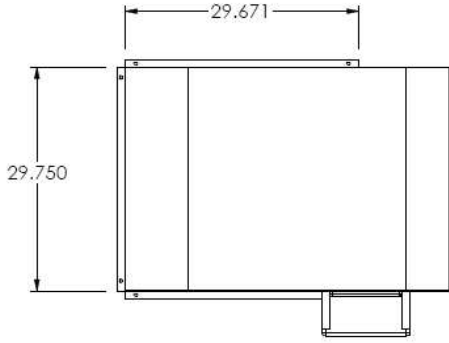


DIM.	SWD-1 (2 pcs.)	RWD-1	RWD-2
A	18.75"	30.25"	42.1875"
B	16.75"	28.25"	40.1875"

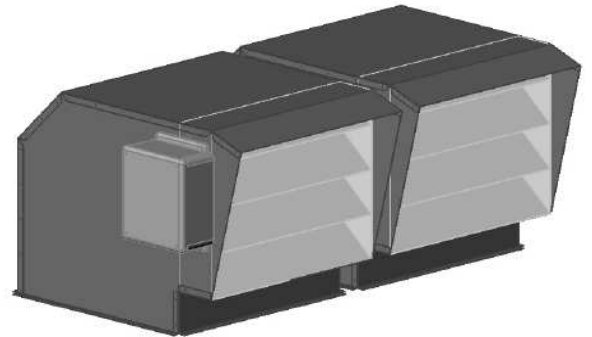
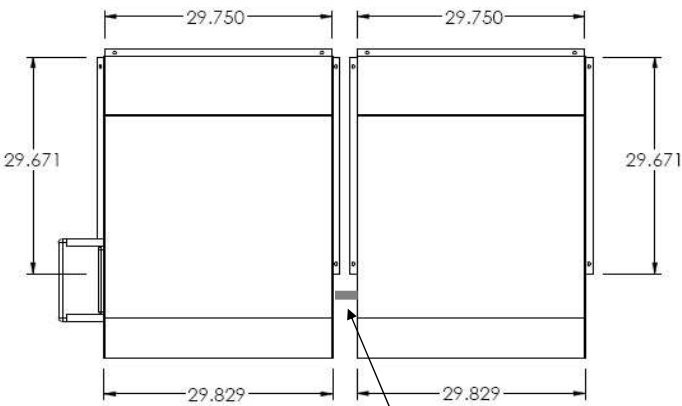


Dimensions

Low Ambient Hood LAH-1 (used alone for single fan modules P72 and P96 sizes)



Low Ambient Hood LAH-1 with LAH-2 (combined for dual fan (P120 and P144) modules)



Dampers assemblies are connected in the field with included shaft

