

Specifications	
Rated Voltage	Electric Power
208 / 230 V	98 / 120 W

## BEFORE INSTALLATION

The defrost heater prevents freezing of outdoor unit base. The base may freeze when the heating operation is performed for a long time in very low temperature, high humidity condition.

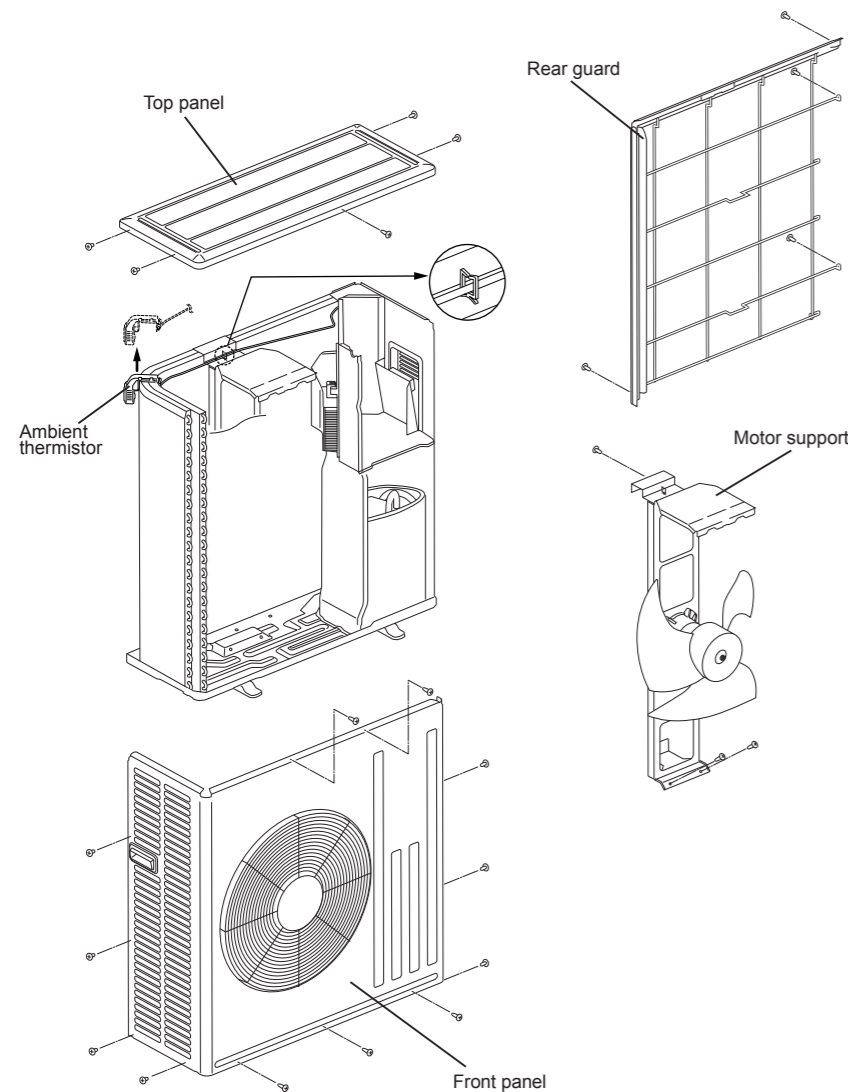
- Wear protective equipment such as gloves for your safety.
- Be careful not to wet electrical parts with water or snow during installation. Wet electrical parts could cause malfunction.
- Do not install the outdoor unit directly on the ground. Install the outdoor unit on a raised platform, such as on racks, to suppress freezing.

## Components

① Defrost heater	1	④ Cable clamp	1
② Heater support	1	⑤ Self drilling screw	2
③ Cable tie	1	⑥ Wiring diagram	1

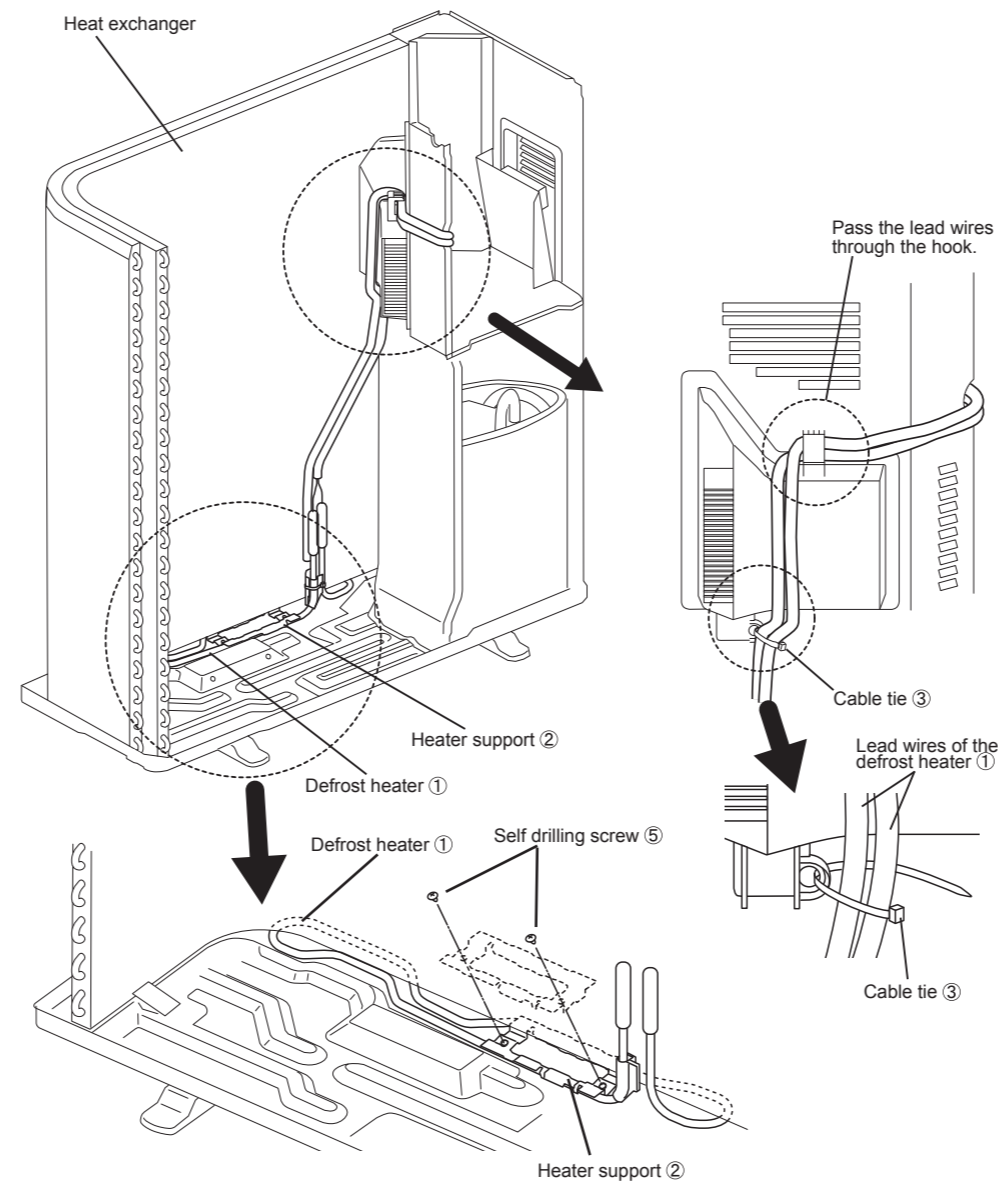
## 1. PREPARING FOR INSTALLATION

- (1) Make sure to switch off the power supply or turn off the breaker.
- (2) Remove the top panel, the front panel, the rear guard, the ambient thermistor, and the motor support.



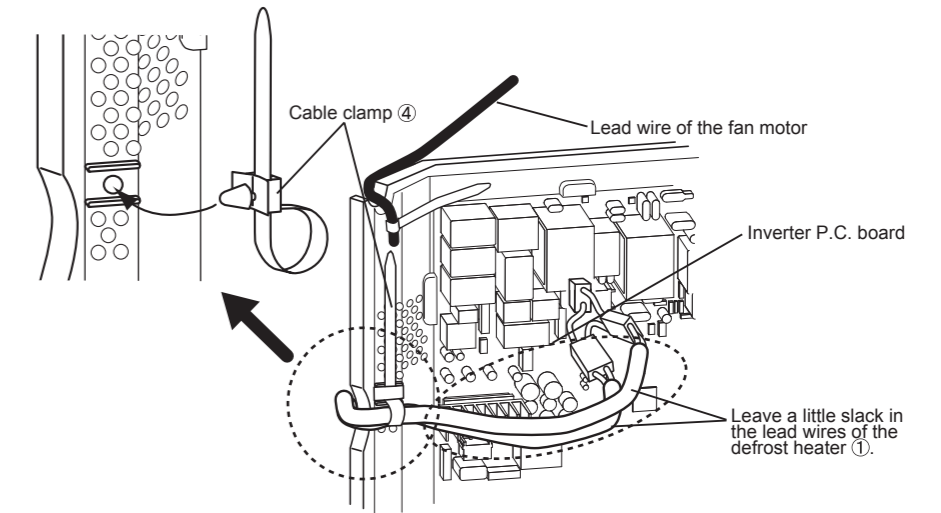
## 2. INSTALLING THE HEATER

- (1) Hold the left lower side of the heat exchanger, and slightly lift up the heat exchanger.
- (2) Insert the defrost heater ① under the heat exchanger, and align it with the groove on the base. In order to fix the defrost heater to the base, fix the heater support ② to the base with 2 self drilling screws ⑤.
- (3) Route the lead wires of the defrost heater ①, as shown in the figure below. Secure them with the cable tie ③. \*If the lead wires slacken, they may touch the propeller fan. Be sure to secure the wires with the cable tie ③ for safety. Cut off the surplus of the cable tie ③.



## 3. FIXING THE WIRES

- (1) Secure the lead wires of defrost heater ① tightly with the cable clamp ④ as shown in the figure below.
- (2) Connect the lead wires of the defrost heater ① to the inverter P.C. board (CN601).
- (3) Reinstall the motor support and the ambient thermistor.



## 4. AFTER INSTALLATION

- (1) Attach the wiring diagram ⑥ to the inner side of the top panel.
- (2) Reinstall the rear guard, the front panel, and the top panel.
- (3) Turn on the breaker, and perform test run to confirm that it works properly.  
\*Do not install the drain socket inside of the drain hose and/or the drain socket may freeze if the drain socket is installed.

