

Job Name:	
System Reference:	Date:



LEV KIT MAIN FEATURES

- The LEV kit is an interface to connect CITY MULTI® Outdoor units to air handlers produced by other manufacturers. These air handlers can be used with or without other CITY MULTI Indoor units.
- ETL certified to UL 60730-1 and UL 60730-2-9.
- The LEV kit can be used with air handlers for room temperature control or DOAS systems for discharge temperature control.
- The LEV kit can be used with all CITY MULTI®Control options. CN105 connections (thermostat interface adapter) for return air temperature control only.
- The LEV kit can be used with a 0 – 10 VDC input for set point control from other devices.
- Includes 4 thermistors and 2 duct-mounting brackets.
- Equipped for 3 speed fan control with signal relays.
- CN24 connection available for auxiliary heat control.
- Error Input / Output signal.
- Heating, cooling, and defrost signals.
- Humidifier control.

SPECIFICATIONS

LEV ASSEMBLY

Design Capacity Range		Required Components					
Btu/h	kW	AHU Controller	Valve Assembly				
		PAC-AH001-1	PAC-LV24AC-1	PAC-LV48AC-1	PAC-LV60AC-1	PAC-LV96AC-1	PAC-LV120AC-1
4,800 - 24,000	1.41 - 7.03	1	1				
24,000 - 48,000	7.03 - 14.07	1		1			
48,000 - 60,000	14.07 - 17.58	1			1		
60,000 - 96,000	17.58 - 28.13	1				1	
96,000 - 120,000	28.13 - 35.17	1					1
120,000 - 192,000	35.17 - 56.27	1				2 ^{*1}	
192,000 - 240,000	56.27 - 70.34	1					2 ^{*1}

*1 PAC-LV96/120AC-1 are double valve assemblies. For these capacities two assemblies are required, see Figure 1 below.

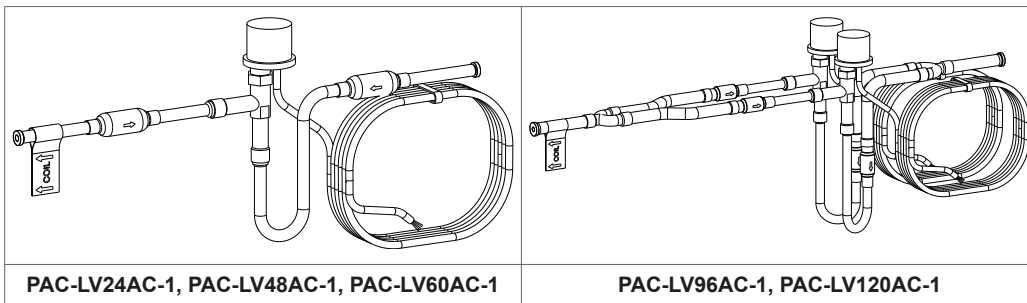


Figure 1. Valve Assemblies

SPECIFICATIONS, CONTD.

LEV ASSEMBLY, CONTD.

Model	PAC-LV24AC-1	PAC-LV48AC-1	PAC-LV60AC-1	PAC-LV96AC-1	PAC-LV120AC-1
LEV Model	EFM-40	EFM-80	EFM-A0	EFM-80 (x2)	EFM-A0 (x2)
LEV Motor	12VDC Stepping motor drive (0~1400 pulse) Lock nut fastening torque: 14 N·m				
Cable Length	ft [m]	16 [5]			
Connection Pipe Diameter	in (mm)	3/8 (9.52)		1/2 (12.7)	

AHU CONTROLLER

Model	PAC-AH001-1	
Power Supply	208/230 VAC, 60 Hz, 1-Phase	
External Finish	Galvanized Steel Plate	
Power Input	kW	0.012
Current	A	0.055
Dimension	Height	19.5 (496)
	Width	12.8 (326)
	Depth	4.7 (119)
Control Box Net Weight (without packaging)	lbs (kg)	11.5 (5.2)
IP class	00	
Operational Temperature Range	°F (°C)	-4 to 115 (-20 to 46)
Gas Pipe Thermistor	16 ft. in length	
Liquid Pipe Thermistor		
Return Air Thermistor		
Discharge Air Thermistor		
Outdoor Units	All CITY MULTI® outdoor units excluding S-Series	
Refrigerant Type	R410A	

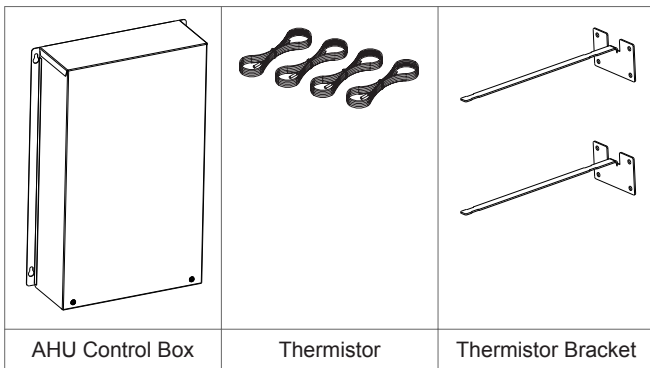
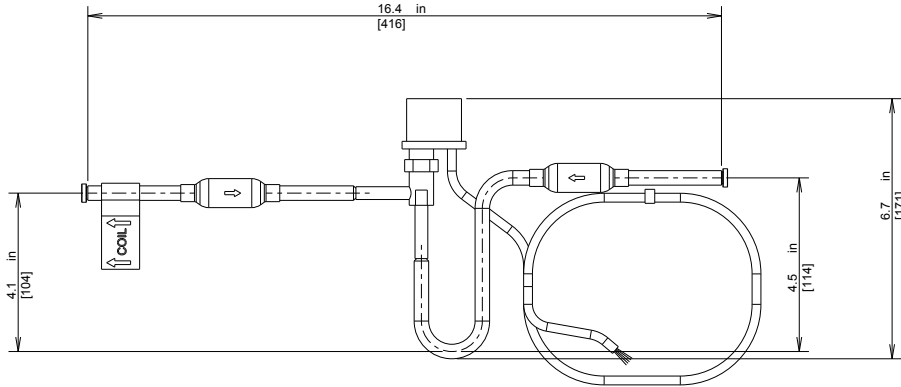


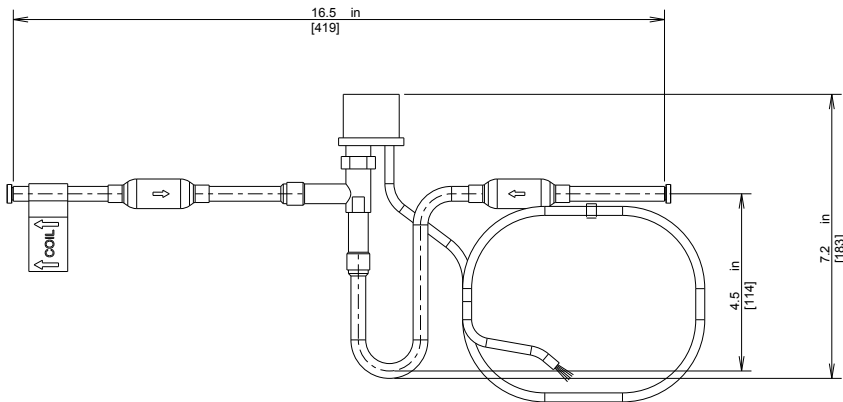
Figure 2. PAC-AH001-1 contents

DIMENSIONS: LEV ASSEMBLY

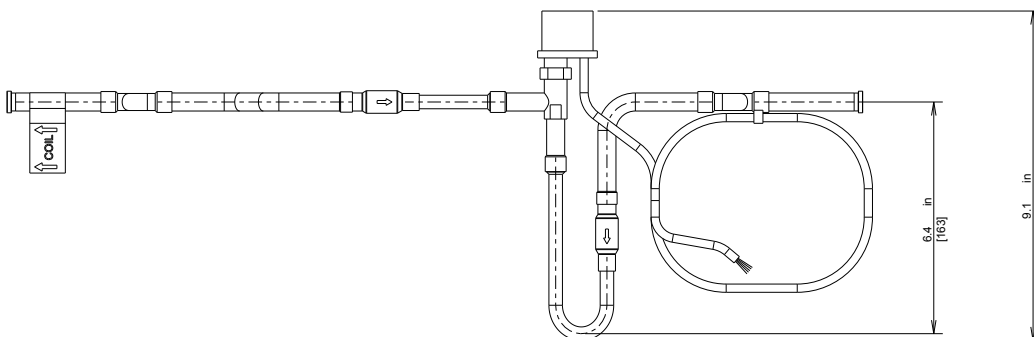
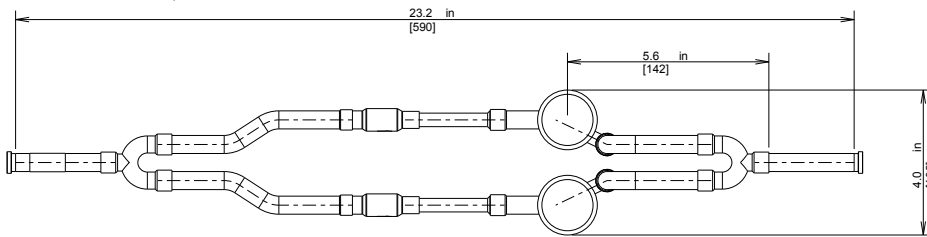
PAC-LEV24AC-1



PAC-LEV48AC-1, PAC-LEV60AC-1

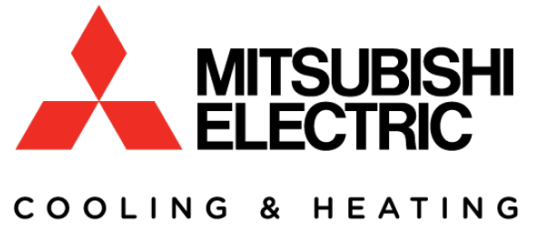
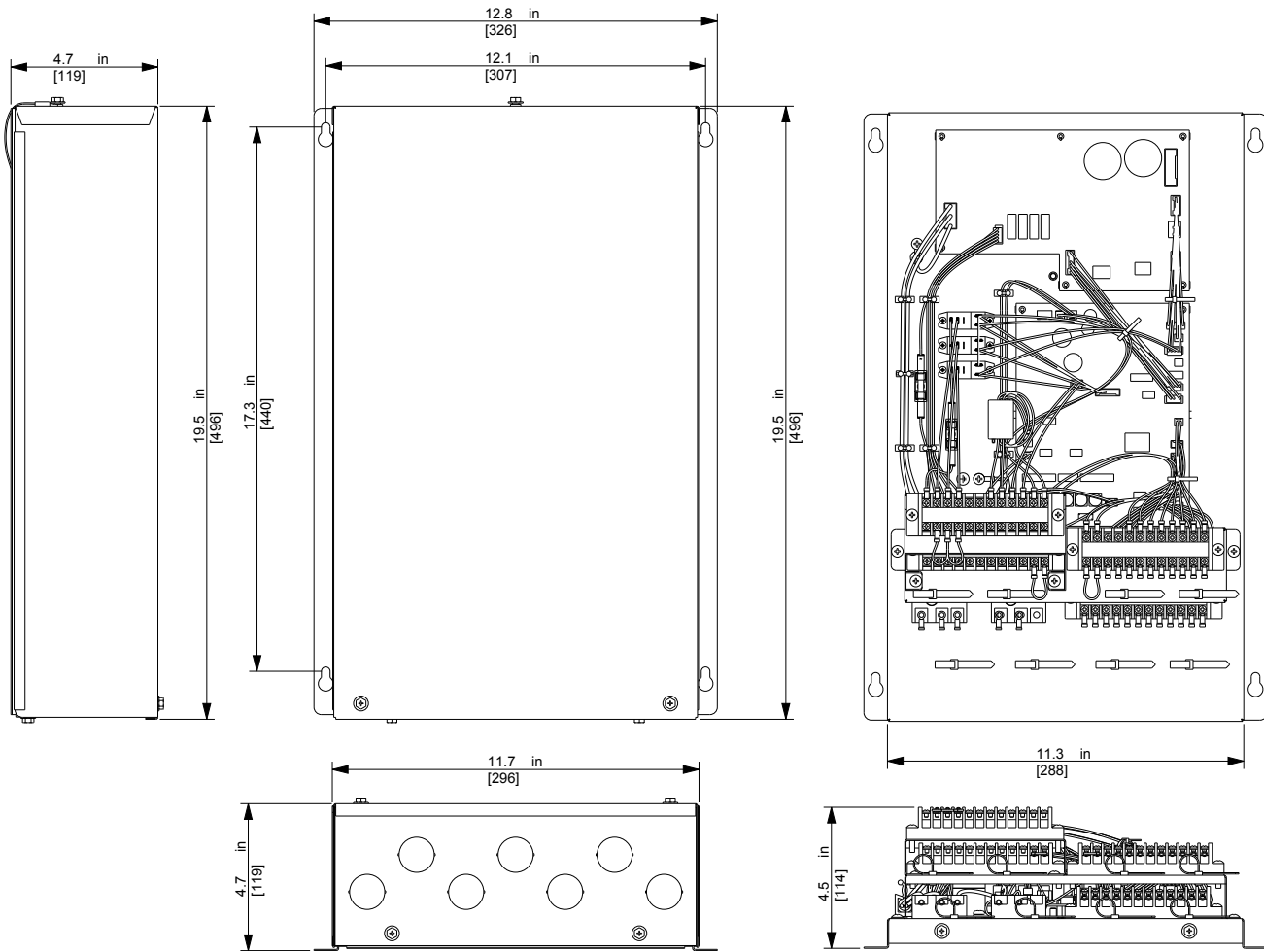


PAC-LEV96AC-1, PAC-LEV120AC-1



DIMENSIONS: AHU CONTROLLER

PAC-AH001-1



1340 Satellite Boulevard, Suwanee, GA 30024
Toll Free: 800-433-4822 www.mehvac.com

FORM# LEV Control Box and Valve Assemblies - 201709

Specifications are subject to change without notice.

Copyright © 2017 Mitsubishi Electric US, Inc.